

# Reasons To Buy Bobcat Exhaust Purifiers

## Cost Effective

The exhaust purifier replaces a section of the original exhaust system and requires no significant exhaust system modification. Direct-fit purifiers reduce installation cost and time.

## Clean Environment

When properly installed and maintained, equipment fitted with an exhaust purifier can significantly reduce certain emissions resulting in a cleaner and healthier work environment.

## Quick Performance

The exhaust purifier offers excellent gas purification utilizing advanced catalyst technology.

## High Durability

An internal brazed steel honeycomb along with a heavy duty external housing maintains a robust and durable exhaust system.

## Product Availability

Over 80 different exhaust purifier designs are available through your Bobcat dealer.

## Low Maintenance

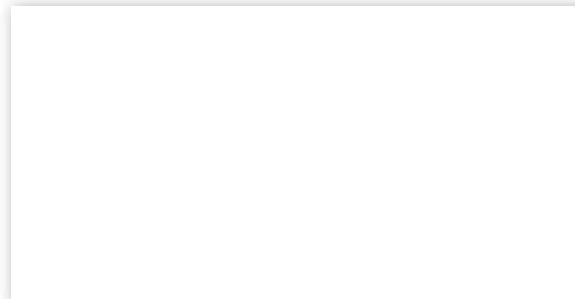
Bobcat Exhaust Purifiers typically require very little maintenance. However, to ensure your purifier is performing effectively and efficiently, perform the recommended service as shown on the machine service schedule.

***Your Bobcat dealer can assist you with matching the right purifier for your machine.***

See your Bobcat Dealer for  
**Genuine Bobcat Parts**



**Warning: All Exhaust Gases Can Kill.  
Always Ventilate.**



# Exhaust Purifiers

Exhaust  
Purifier  
Exhaust  
Purifier  
Exhaust  
Purifier



**Increase profits while making your  
Bobcat equipment and workplace  
environmentally friendly.**



## Increased Profits



A catalytic exhaust purifier is a device which is integrated into a power unit's exhaust system to reduce certain components of exhaust gases.

Installing an exhaust purifier on your Bobcat® equipment, may further your access to indoor and outdoor job sites that have emission regulations for carbon monoxide, hydrocarbons, and particulate matter. Bobcat Exhaust Purifiers are designed to be installed as a muffler replacement on most Bobcat equipment.

### Increased Versatility & Safety

- Work conditions are improved by reduction of irritating exhaust odors
- Helps achieve compliance for emissions regulations

### Quick & Easy Installation

- No significant exhaust system modifications needed
- Reduces expensive installation time

### Unmatched Durability

- Heavy-duty designs and superior workmanship
- Long life and durability provides greater long-term savings

### Low Backpressure

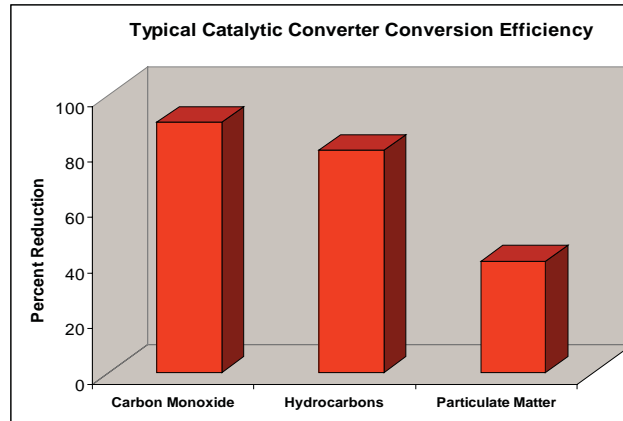
- Minimal exhaust flow restrictions
- Virtually no power loss or increased fuel consumption

### Low Maintenance

- Maintains workplace productivity

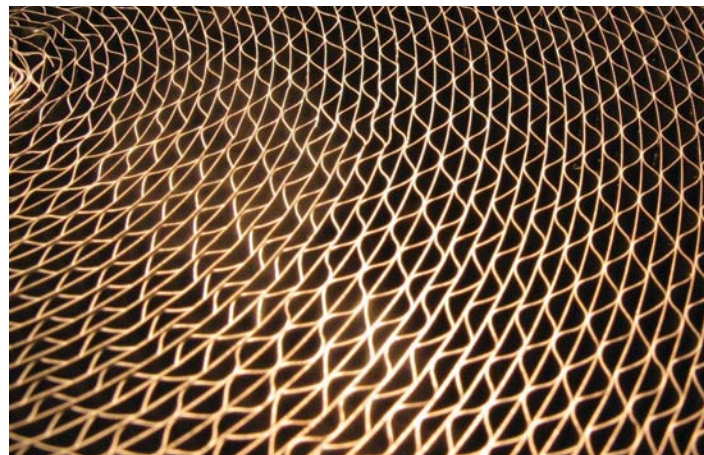
## Reduced Emissions

Make your equipment and workplace environmentally friendly by using a Bobcat Exhaust Purifier. Exhaust purifiers help meet emission standards by dramatically reducing Particulate Matter (PM), popularly known as Diesel Soot, by up to 40%, Hydrocarbons (HC) by up to 80% and Carbon Monoxide (CO) by up to 90%.



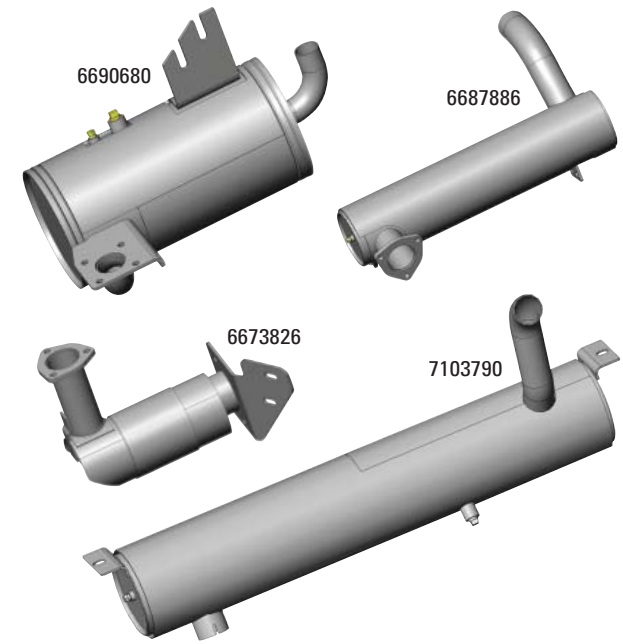
Bobcat Exhaust Purifiers represent the most advanced catalyst technology designed for high reductions of diesel soot, carbon monoxide and hydrocarbons. Each exhaust purifier contains a brazed steel catalyst honeycomb, the highest quality catalyst substrate in the industry.

A close-up view showing the brazed stainless steel honeycomb cells.



## Wide Selection

There are over 80 exhaust purifier designs for nearly all Bobcat equipment models. Installing a Bobcat Exhaust Purifier is quick and easy since it is a replacement for the original exhaust component.



Bobcat exhaust purifiers are a direct-fit for many Bobcat machines like the S205.

